

MAXIMUM POWER FOR NEW CHALLENGES

BLADEMAX 650



HIGHEST PERFORMANCE EVER!

THE STRONGEST BLADELIFTER ON THE MARKET

+ HIGHEST STABILITY & MAXIMUM SAFETY

Patented Roto-Translation and Patented SCS - Stability Control System: The highest available stability on the market without additional movable balast. The safest one on the market.

+ FLEXIBLE OPERATION SYSTEM

Operation with modular selfpropelled vehicles and modular trailers: Fixation between headers or on top of the vehicle.

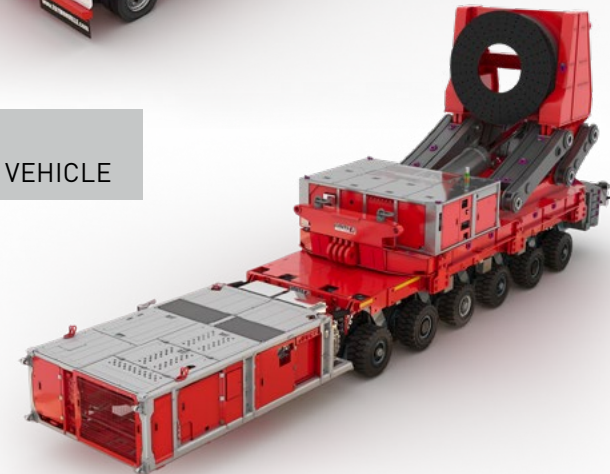
COMBINATION WITH GOOSENECK

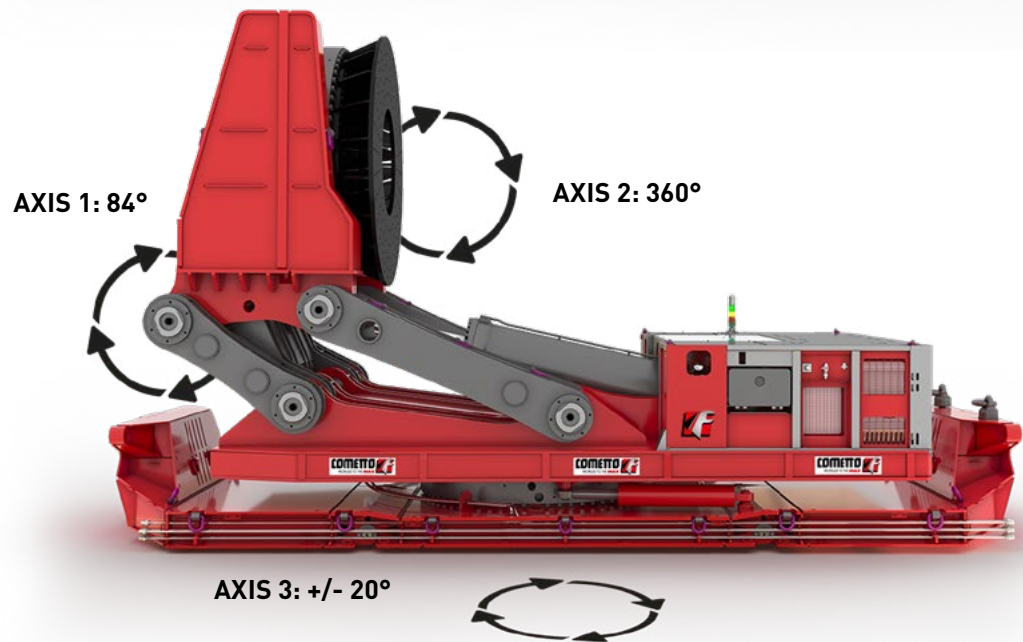
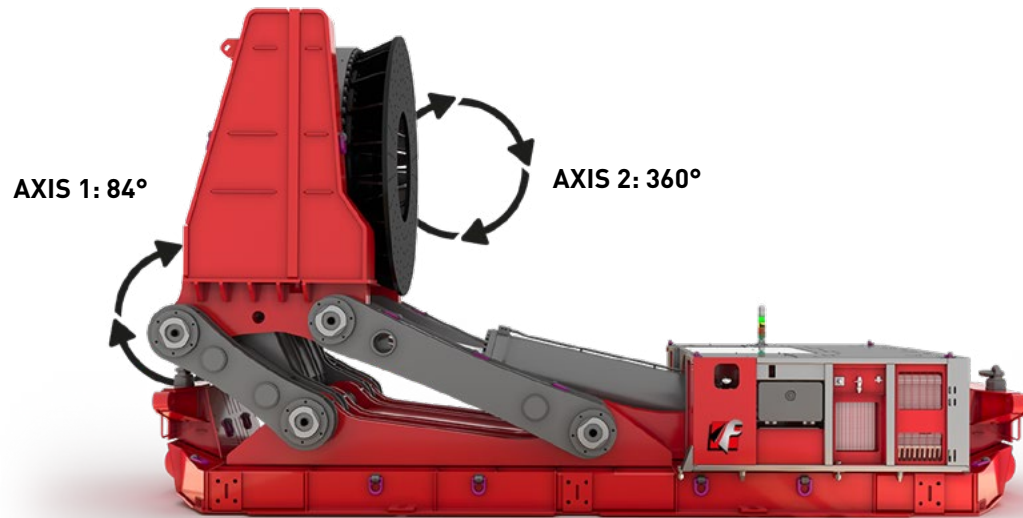


COMBINATION WITH DRAWBAR



COMBINATION WITH MODULAR SELFPROPELLED VEHICLE





2 AXIS STANDARD VERSION

MAX. ADMITTED BLADE TORQUE	6.500 kNm (650mT)
MAX. LIFTING ANGLE - AXIS 1	84°
MAX. ROTATION ON BLADE - AXIS 2	360°
TARE WEIGHT WITHOUT ROOT INTERFACE	40t
MAX. HEIGHT - AXIS 1 = 0°	4.050mm
MIN. HEIGHT WITHOUT BLADEADAPTER AXIS 1 = 84°	2.920mm
LENGTH	7.200mm
WIDTH	2.990mm

3 AXIS SPECIAL VERSION

MAX. ADMITTED BLADE TORQUE - AXIS 3 = 0°	6.500 kNm (650mT)
MAX. ADMITTED BLADE TORQUE - AXIS 3 > 0°	3.500 kNm (350mT)
MAX. LIFTING ANGLE - AXIS 1	84°
MAX. ROTATION ON BLADE - AXIS 2	360°
MAX. SIDE ROTATION - AXIS 3	+/- 20°
TARE WEIGHT WITHOUT ROOT INTERFACE	55t
MAX. HEIGHT - AXIS 1 = 0°	4.480mm
MIN. HEIGHT WITHOUT BLADEADAPTER AXIS 1 = 84°	3.550mm
LENGTH	7.800mm
WIDTH	2.990mm

www.cometto.com



COMETTO S.P.A.

Via Cuneo 20
12011 Borgo San Dalmazzo
Italy
T: +39 0171 263 300
cometto@cometto.com

Powered by **FAYMONVILLE**
GROUP 

